

# Amoré Bay

*The Bay Collection*



M-Drive



LiquidFX



UltraPure Plus



Massage Sequencer



2 UltraLounges



2 NeckFlex Pillows

## Shell Colors



UltraLife Jasper Obsidian Opal Graphite



Tanzanite Moonstone Sunstone Sand

## Architectural Trim

ENVIROTECT



Tan Brown Gray



Oak Cherry Cattails

## Specifications

Dimensions	<b>108" L x 92" W x 40" H</b>
Seating	<b>7</b>
Jets	<b>62 jets</b>
Electrical	<b>240V, 40/50A</b>
NeckFlex Jet Pillows	<b>2</b>
Water Management	<b>UltraPure Plus</b>
Full-Foam Insulation	<b>Standard</b>
Liquid FX	<b>Standard</b>
Stereo	<b>Optional</b>

## Features



5 Pumps



7 Persons



62 Jets



2 NeckFlex Jet Pillows



2 UltraLounges



UltraPure Plus



M-Drive



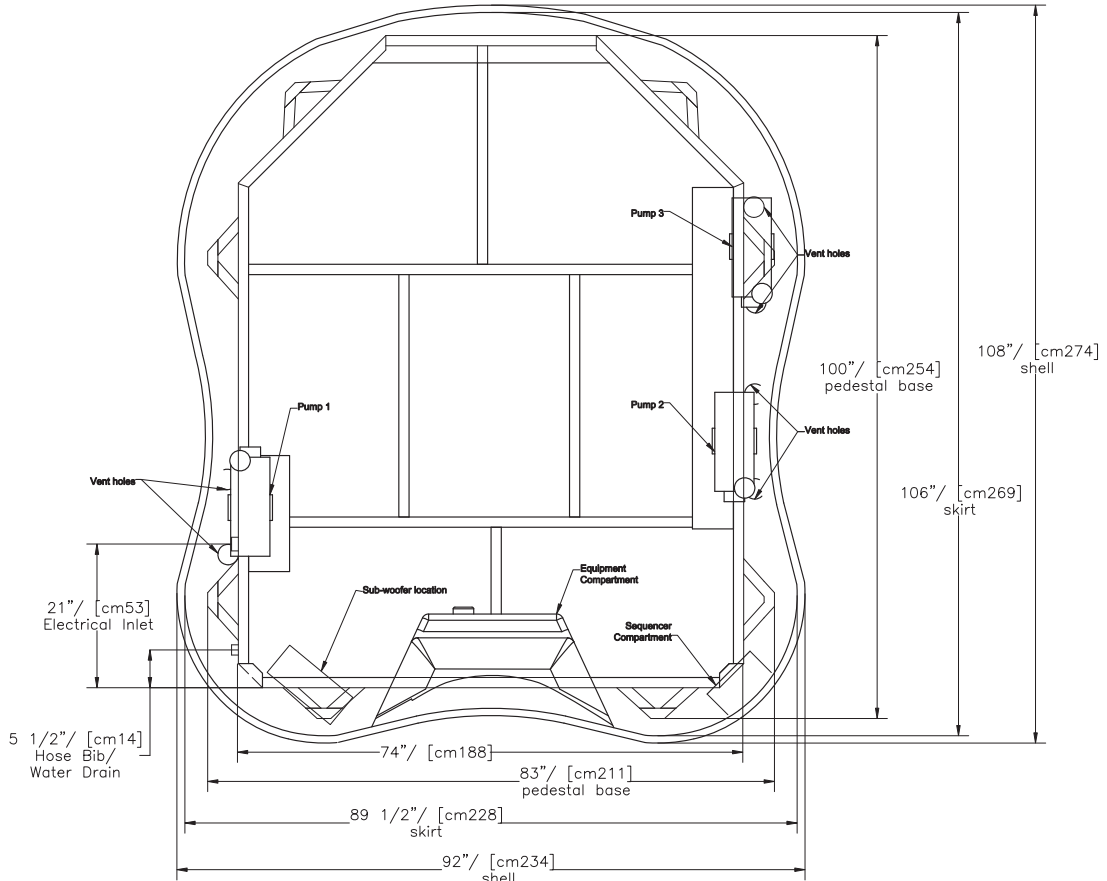
Liquid FX



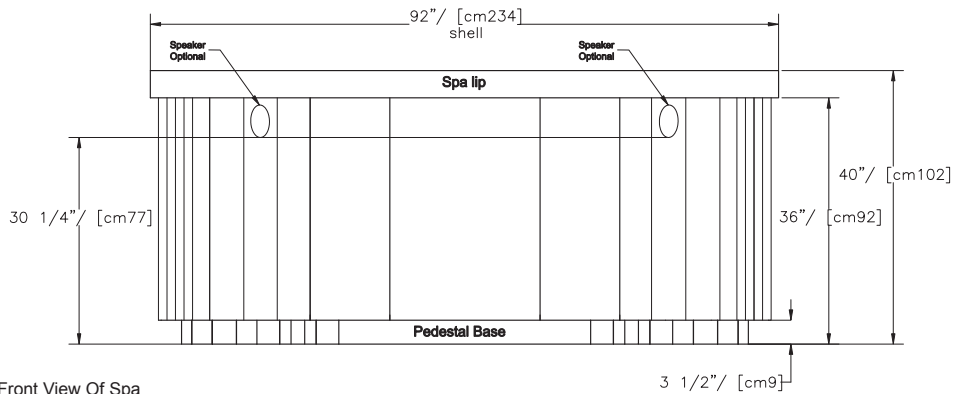
DIMENSION ONE SPAS®  
www.d1spas.com



# Amore Bay Architectural Specification



Top View Of Spa



Front View Of Spa

**Caution:**  
 Due to manufacturing tolerances there could be some minor differences between the actual spa and the drawing above. If site planning is critical to such tolerances, be sure to measure your actual spa.

- Note:**
1. Subject to change without notice.
  2. Engineering specs may differ slightly from brochure.
  3. For E-Z lifter installation allow 18" (45.72cm) clearances on the backside of the spa.
  4. Alternative cabinets may add significant weight. Ask your dealer for exact details

Dimensions shown as inches and (centimeters) -XX" (cm)